

Part Number Guide

T-V-S-FF.FFFM- FS-OT-OP -TR-S

T (Type型号): 0=5×7×1.4mm Max ceramic osc

OF=5×7×1.4mm Max ceramic osc(side pad)

V (Input Voltage输入电压): 1,8=1.8V 2,5=2.5V 2,85=2.85V 3=3.3V 5=5.0V, etc

S (Symmetry占空比): 5=45/55 Max 6=40/60 Max

F (Frequency标称频率): Normal - 5 digitals of Frequency, e.g. 8.0000M, 12.000M

Special - All digitals of Frequency, e.g. 13.225625M

FS (Frequency Stability总频差): 50=±50 ppm, etc

OT (Operating Temperature工作温度): 0070= 0°C to +70°C 4085= -40°C to +85°C, etc

OP (Output输出): 1=15PF HCMOS 2=10TTL 3=30PF 4=50PF 5=10TTL/15PF

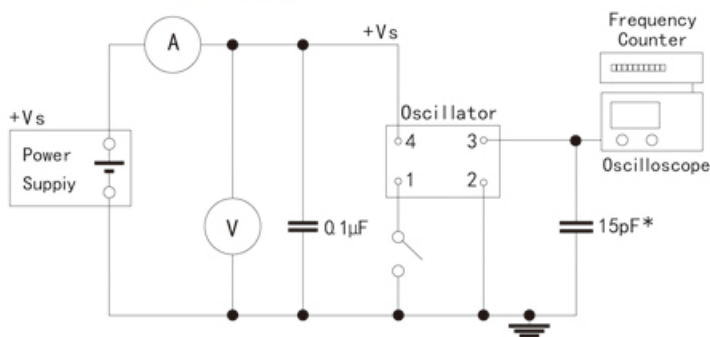
TR (Tape and Reel编带)

S (Special Requirement特殊要求)

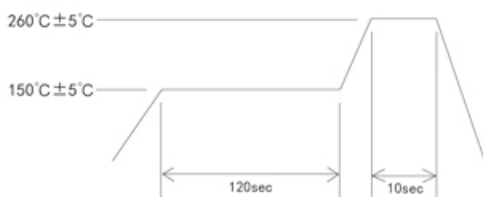
Electrical Specifications 电气参数

型号	Holder Type	5x7mm SMD OSCILLATOR	
频率范围	Frequency Range	1.0000 MHz to 150.00 MHz	
总频差	Frequency Stability	±25ppm to ±50ppm	
输入电压	Supply Voltage	5.0V or 3.3V ±10%	
工作温度范围	Operating Temperature Range	-10°C ~ +60°C to -40°C ~ +85°C	
储存温度范围	Storage Temperature Range	-40°C ~ +85°C / -55°C ~ +125°C	
占空比	Symmetry (Duty Cycle)	40/60 Standard	
输出	Output Load	10 TTL or 15pF HCMOS	
消耗电流	Current Consumption (15pf only)	1.0000MHz - 36.000MHz=25mA Max	
		(5.0V)	36.000MHz - 70.000MHz=60mA Max
		70.000MHz - 150.00MHz=80mA Max	
	Current Consumption (15pf only)	1.0000MHz - 36.000MHz=20mA Max	
		(1.8V 2.5V 2.85V 3.3V)	36.000MHz - 70.000MHz=40mA Max
		70.000MHz - 150.00MHz=60mA Max	
上升/下降时间	Rise/Fall Time	10nS Max	

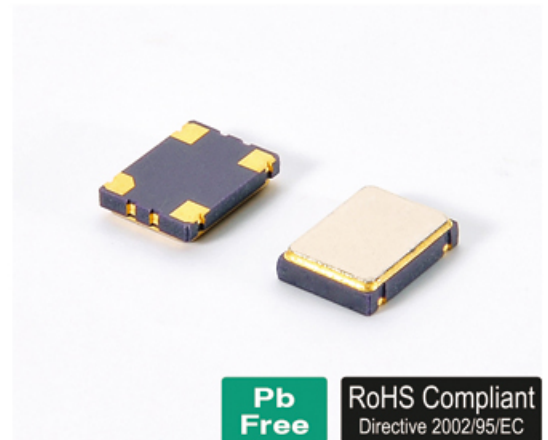
Test Circuit 测试电路



Reflow Condition 回流焊条件

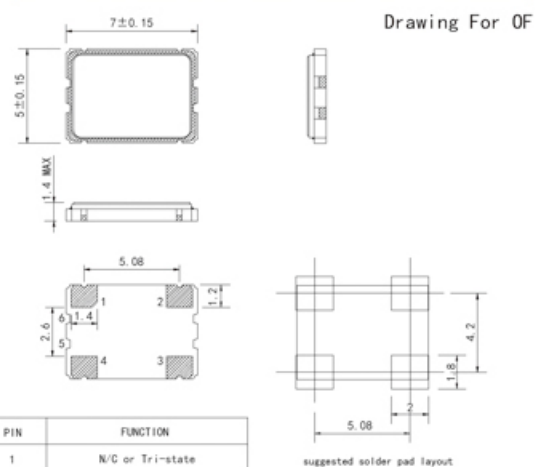
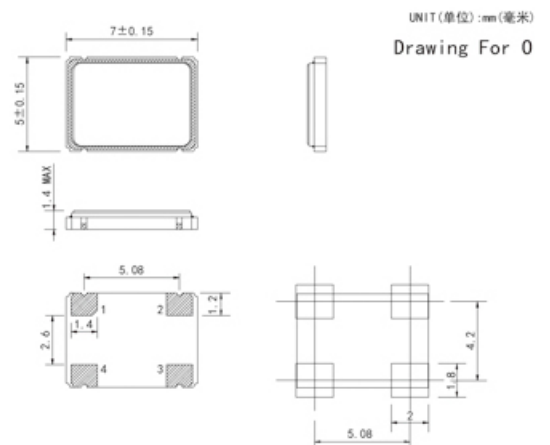


CYCLE TIME: 200sec Max.



Pb Free **RoHS Compliant**
Directive 2002/95/EC

Mechanical Dimensions 外型尺寸



PIN	FUNCTION
1	N/C or Tri-state
2	Ground
3	Output
4	Vdd
5	Crystal
6	Crystal

suggested solder pad layout