

5×7 SMD OSC(PECL/LVDS)

Part Number Guide

T-V-S -FF.FFFM -FS-OT-P-TR-S

T (Type型号): 0H=5X7SMD OSC ,PECL/LVDS Output

V (Input Voltage输入电压): 3=3.3V 2.5=2.5V, etc

S (Symmetry占空比): 5=45/55 Max 6=40/60 Max

F (Frequency标称频率): Normal - 5 digitals of Frequency, e.g. 8.0000M, 12.000M
 Special - All digitals of Frequency, e.g. 13.225625M

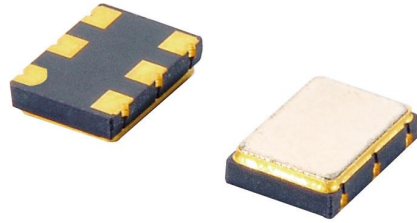
FS (Frequency Stability总频差): 50=±50 ppm, etc

OT (Operating Temperature工作温度): 0070=0°C to +70°C 4085=-40°C to +85°C, etc

P (Output输出): P=PECL D=LVDS

TR (Tape and Reel编带)

S (Special Requirement特殊要求)



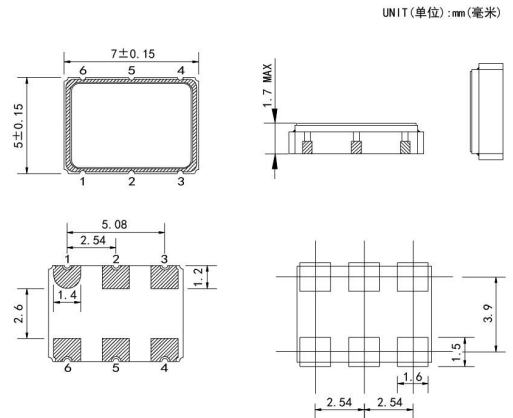
Pb Free

RoHS Compliant
 Directive 2002/95/EC

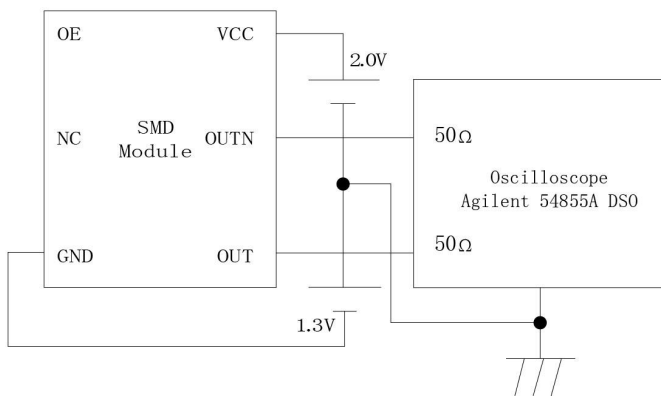
Electrical Specifications 电气参数

型号	Holder Type	5x7mm SMD OSC(PECL/LVDS Output)
频率范围	Frequency Range	1.0000MHz to 220.00MHz
总频差	Frequency Stability	±25ppm to ±50ppm
输入电压	Supply Voltage	2.5V or 3.3V ±10%
工作温度范围	Operating Temperature Range	-10°C ~ +60°C to -40°C ~ +85°C
储存温度范围	Storage Temperature Range	-40°C ~ +85°C / -55°C ~ +125°C
占空比	Symmetry (Duty Cycle)	40/60 Standard
负载	Load	50Ω (PECL), 100Ω (LVDS)
消耗电流	Current Consumption (2.5V)	55mA typ(88mA max)
	Current Consumption (3.3V)	60mA typ(90mA max)
相位噪声	Phase Noise	-130dBc/Hz@1KHz(155.52MHz 3.3V)
抖动	Rms Jitter(12KHz to 20MHz)	0.17Ps(156.25MHz 3.3V)
典型频率	Typical Frequency	61.44MHz, 122.88MHz, 155.52MHz, 156.25MHz

Mechanical Dimensions 外型尺寸



Test Circuit 测试电路



PAD NO.	CONNECTION
#1	N/C or Tri-state
#2	N/C
#3	Ground
#4	Output
#5	Output
#6	+DC

Reflow Condition 回流焊条件

