

OXB09 SERIES

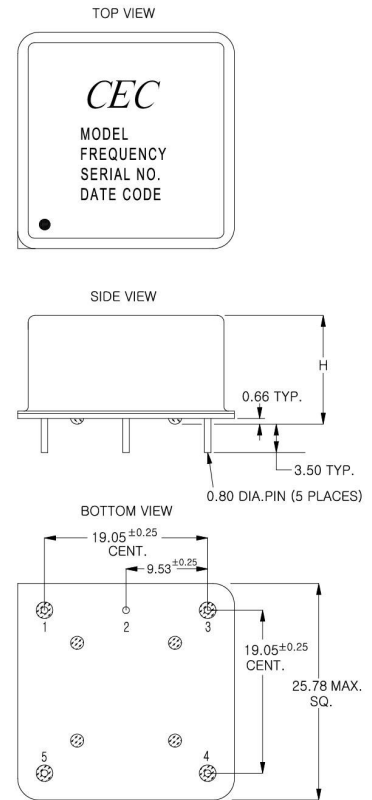


Pb Free

RoHS Compliant
Directive 2002/95/EC

Part Number Guide		
OXB09 - XXXXX – FREQ.		
OXB09: OXCO-B Package/09 Series		
XXXXX: Input Voltage/Temp. Range/ Temp. Stability/Output/Adjustment Range		
FREQ.: Frequency in MHz		
Example: OXB09-BAHLN-10MHz (5V,±3ppb@ -40°C~85°C, LVTTTL, no adjustment)		
Parameters 参数	Coding Table 代码表	
11	Frequency 频率	10MHz
6	Input Voltage 输入电压	A: 3.3V, B:5V, C:12V
7	Temp. Range 温度范围	A: -40°C to 85°C , B: -30°C to 75°C , C: -20°C to 70°C, D: 0°C to 70°C
8	Temp. Stability 温度稳定性	H:±3ppb, I:±5ppb, J:±10ppb
9	Output Waveform 输出波形	L:LVTTTL, H:HCMOS, S:Sine wave
10	Adjustment Range 调频范围	A: ±0.5ppm ~ ±1.0ppm N: No Adjustment
Typical Specification of 10MHz OXCO 典型规格		
Aging 老化率	daily	<±0.3ppb
	Yearly	<±30ppb
Warm-up Time 开机时间	<3min, to 5ppb of final frequency (30 minutes reading) @25°C.	
Warm-up Power 暖机功率	<4 Watts	
Steady State Power 稳态功耗	<1.2 Watts @25°C	
Voltage Stability 电压稳定性	<±0.5ppb@Vcc±5%	
Short Term Stability 短期稳定度	<0.005ppb/S	
Phase Noise (Typical Value) 相位噪声 (典型值)	@1 Hz	-105 dBc/Hz
	@10 Hz	-130 dBc/Hz
	@100Hz	-152 dBc/Hz
	@1k Hz	-168 dBc/Hz
	@10k Hz	-175 dBc/Hz
Product Height 产品高度	12.7mm Max.	

Mechanical Dimensions 外形图



PIN CONNECTIONS

PIN	FUNCTION
1	R. F. Output
2	GND
3	VCO Input or N/C
4	Reference Voltage or N/C
5	+VCC

Unit: mm