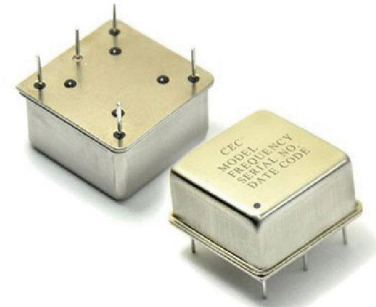


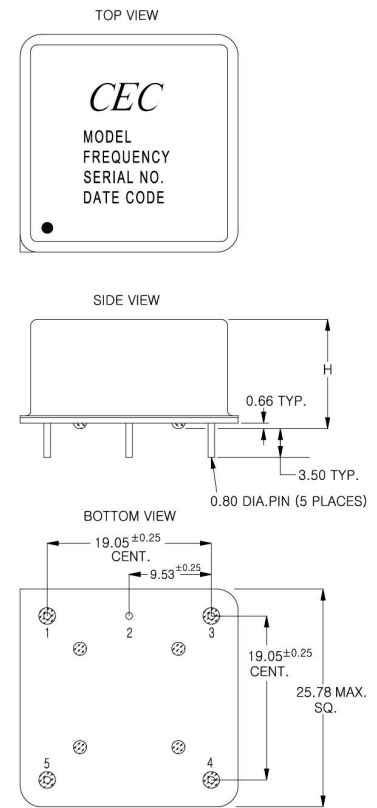
# OXB12 SERIES

Part Number Guide		
OXB12 - XXXXX – FREQ.		
OXB12: OCXO-B Package/12 Series		
XXXXX: Input Voltage/Temp. Range/ Temp. Stability/Output/Adjustment Range		
FREQ.: Frequency in MHz		
Example: OXB12-CAPSN-100MHz (12V,±50ppb@ -40°C~85°C, sine wave, no adjustment)		
Parameters 参数	Coding Table 代码表	
11	Frequency 频率	80~200MHz
6	Input Voltage 输入电压	C: 12V
7	Temp. Range 温度范围	A: -40°C to 85°C , B: -30°C to 75°C , C: -20°C to 70°C, D: 0°C to 70°C
8	Temp. Stability 温度稳定性	J: ±10ppb , O: ±30ppb , P : ±50ppb , Q: ±100ppb
9	Output Waveform 输出波形	S:Sine wave
10	Adjustment Range 调频范围	C: ±1~±2ppm N: No Adjustment
Typical Specification of 10MHz OCXO 典型规格		
Aging 老化率	daily	<±3ppb
	Yearly	<±0.3ppm
Output Level 输出功率	7~11dBm	
Control Voltage 压控电压	0 ~ 8V	
Reference Voltage 参考电压	8V (optional)	
Warm-up Time 暖机时间	<5min, to 50ppb of final frequency ( 30 minutes reading) @25°C.	
Turn On Power 开机功率	<4 Watts	
Steady State Power 稳态功耗	<1.5 Watts @25°C	
Voltage Stability 电压稳定度	<±10ppb@Vcc±5%	
Phase Noise (Typical Value) 相位噪声 (典型值)	@10 Hz	-100 dBc/Hz
	@100Hz	-130 dBc/Hz
	@1k Hz	-162 dBc/Hz
	@10k Hz	-170 dBc/Hz
	@100k Hz	-174 dBc/Hz
Product Height 产品高度	11mm, 12.7mm Max.	



**Pb Free** **RoHS Compliant**  
 Directive 2002/95/EC

## Mechanical Dimensions 外形图



## PIN CONNECTIONS

PIN	FUNCTION
1	R. F. Output
2	GND
3	VCO Input or N/C
4	Reference Voltage or N/C
5	+VCC

Unit: mm