

OXC10 SERIES

Part Number Guide

OXC10 - XXXXX - FREQ.
 OXC10: OCXO-C Package/10 Series
 XXXXX: Input Voltage/Temp. Range/ Temp. Stability/Output/Adjustment Range
 FREQ.: Frequency in MHz
 Example: OXC10-AAHHA-10MHz (3.3V, ±3ppb@ -40°C~85°C, HCMOS, ±0.5 ~±1.0ppm adjustment range)

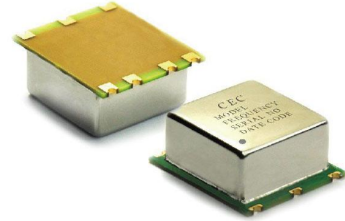
Parameters 参数	Coding Table 代码表
11 ~ Frequency Range 频率范围	5MHz-50MHz 10, 12.8, 13, 15.36, 16.384, 19.2, 19.44, 20, 25, 26, 38.88MHz
6 Input Voltage 输入电压	A: 3.3V, B: 5V, C: 12V
7 Temp. Range 温度范围	A: -40°C to 85°C, B: -30°C to 75°C, C: -20°C to 70°C
8 Temp. Stability 温度稳定性	H: ±3ppb, I: ±5ppb, J: ±10ppb O: ±30ppb, P: ±50ppb, Q: ±0.1ppm
9 Output Waveform 输出波形	L: LVTTTL, H: HCMOS, S: Sine wave
10 Adjustment Range 调频范围	A: ±0.5ppm ~±1.0ppm N: No Adjustment H: ±5ppm ~±10ppm N: No Adjustment

Voltage (reference only) 电压 (仅供参考)

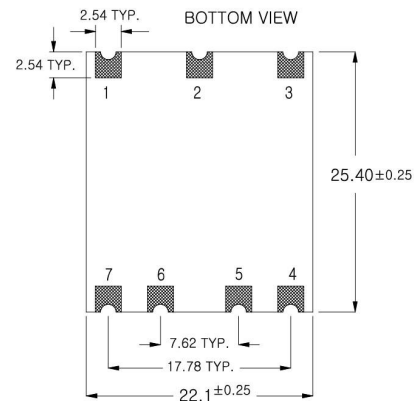
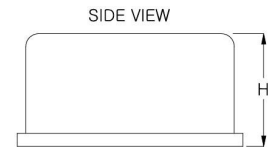
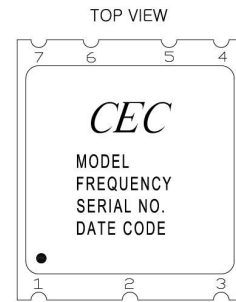
Input Voltage 输入电压	3.3V ± 5%		5V ± 5%	
Reference Voltage 参考电压	Not Connected	2.8V	Not Connected	4V
VCO Center Voltage 压控端中心电压	1.65V	1.4V	2.5V	2V
VCO Input Range 压控端电压范围	0~3.3V	0~2.8V	0~5V	0~4V

Typical Specification of 10MHz OCXO 典型规格

Crystal Type 晶体类型	SC-Cut		AT-Cut	
	daily	<±0.3ppb	daily	<±0.3ppb
Yearly	<±30ppb	Yearly	<±0.3ppm	
Warm-up Time 开机时间	<3min, to 5ppb of final frequency (30 minutes reading) @25°C.		<3min, to 50ppb of final frequency (30 minutes reading) @25°C.	
Warm-up Power 暖机功率	<3 Watts		<3 Watts	
Steady State Power 稳态功耗	<1.2 Watts @25°C		<1.0 Watts @25°C	
Voltage Stability 电压稳定性	<±0.5ppb@Vcc±5%		<±5ppb@Vcc±5%	
Short Term Stability 短期稳定度	<0.01ppb/5		<0.1ppb/5	
Phase Noise (Typical Value) 相位噪声 (典型值)	@1 Hz	-98 dBc/Hz	@1 Hz	-85 dBc/Hz
	@10 Hz	-128 dBc/Hz	@10 Hz	-115 dBc/Hz
	@100Hz	-150 dBc/Hz	@100Hz	-143 dBc/Hz
	@1k Hz	-158 dBc/Hz	@1k Hz	-154 dBc/Hz
	@10k Hz	-164 dBc/Hz	@10k Hz	-164 dBc/Hz
@100k Hz	-165 dBc/Hz	@100k Hz	-165 dBc/Hz	
Product Height 产品高度	10.7mm, 12.2mm, 15mm typical			



Mechanical Dimensions 外形图

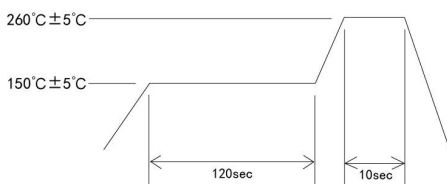


PIN CONNECTIONS

PIN	FUNCTION
1	VCO Input or N/C
2	Reference Voltage or N/C
3	+VCC
4	R. F. Output
5	Oven Monitor or N/C
6	N/C
7	GND

Unit: mm

Reflow Condition 回流焊条件



CYCLE TIME: 200sec Max.