

OXC19 SERIES

Part Number Guide

OXC19 - XXXXX – FREQ.

OXC19: OXCO-C Package/19 Series

XXXXX: Input Voltage/Temp. Range/ Temp. Stability/Output/Adjustment Range

FREQ.: Frequency in MHz

Example: OXC19-BCFHA-10MHz (5V,±1ppb@ -20°C~70°C, HCMOS,±0.5~±1.0ppm adjustment range)

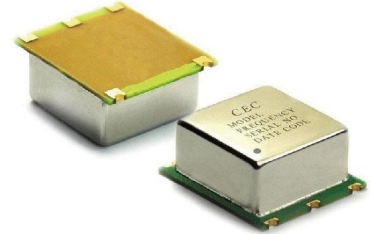
Parameters 参数		Coding Table 代码表
11~	Frequency Range 频率范围	5MHz-26MHz
		5, 8.192, 10, 12.8, 13, 15.36, 16.384, 19.2, 19.44, 20, 25, 26MHz
6	Input Voltage 输入电压	A: 3.3V, B: 5V, C: 12V
7	Temp. Range 温度范围	A: -40°C to 85°C, B: -30°C to 75°C, C: -20°C to 70°C
8	Temp. Stability 温度稳定	E: ±0.5ppb, F: ±1ppb, G: ±2ppb
9	Output Waveform 输出波形	L: LVTTTL, H: HCMOS, S: Sine wave
10	Adjustment Range 调整幅度	A: ±0.5ppm ~ ±1.0ppm N: No Adjustment

Voltage 电压

Input Voltage 输入电压	3.3V ± 5%	5V ± 5%	12V ± 5%
Reference Voltage 参考电压	2.8V	4V	5V
VCO Center Voltage 压控振荡器中心电压	1.4V	2V	2.5V
VCO Input Range 压控振荡器输入范围	0~2.8V	0~4V	0~5V

Typical Specification of 10MHz OXCO 典型指标

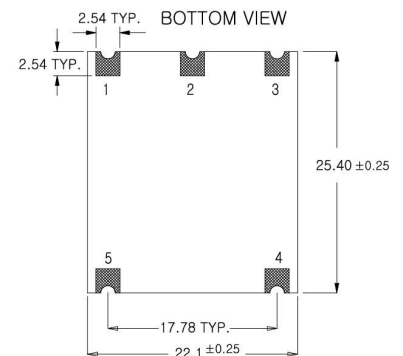
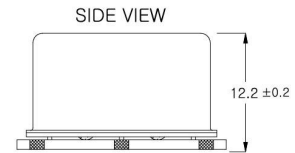
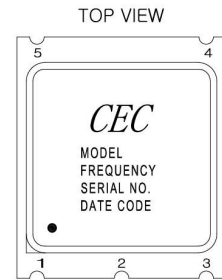
Crystal Type 晶体类型	SC-Cut	Voltage Stability 电压稳定性	< ±0.5ppb@Vcc ± 5%
Aging 老化	daily < ±0.3ppb	Short Term Stability 短期频率稳定度	< 0.003ppb/S
	Yearly < ±30ppb	Warm-up Power 加热功耗	< 3 Watts
Product Height 产品高度	12.2mm typical	Steady State Power 稳态功耗	< 1.0 Watts @ 25°C
Phase Noise 相位噪声	-100dBc/1Hz, -130dBc/10Hz, -150dBc/100Hz, -165dBc/1kHz, -173dBc/10kHz		



Pb Free

RoHS Compliant
Directive 2002/95/EC

Mechanical Dimensions 外形图

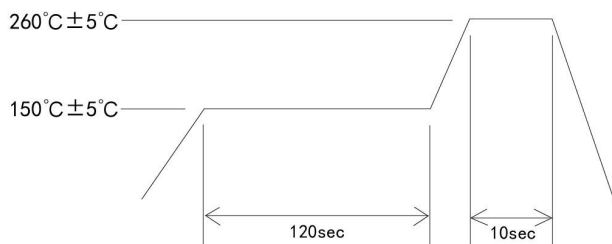


PIN CONNECTIONS

PIN	FUNCTION
1	VCO Input or N/C
2	Reference Voltage or N/C
3	+VDC
4	R. F. Output
5	GND

Unit: mm

Reflow Condition 回流焊条件



CYCLE TIME: 200sec Max.