

3×10 TUNING FORK(MHZ)

Part Number Guide

T-M-FF.FFFM-LC-FTFS-OT-ESR-TR-S

T (Type型号): WD=3X10 Tuning Fork

M (Mode of Operation振荡模式): F=Fundamental

F (Frequency标称频率): 5 digitals of Frequency, e.g. 3.5000M, 4.0000M

LC (Load Capacitance负载电容): 20=20pf 00=series, etc

FT (Frequency Tolerance调整频差): 30=±30 ppm, etc

FS (Frequency Stability温度频差): 50=±50 ppm, etc

OT (Operating Temperature工作温度): 1060=-10°C to +60°C 4085=-40°C to +85°C, etc

ESR (Equivalent Series Resistance等效阻抗)

TR (Tape and Reel编带)

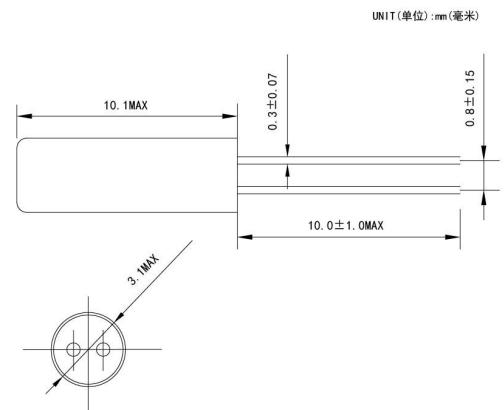
S (Special Requirement特殊要求)



Electrical Specifications 电气参数

型号	Holder Type	Turning Fork 310 (MHZ)
频率范围	Frequency Range	3.500MHz to 4.000MHz
调整频差	Frequency Tolerance (ΔF) (at 25°C)	±10ppm to ±100ppm
温度频差	Frequency Stability	±10ppm to ±100ppm
工作温度范围	Operating Temperature Range	-10°C ~ +60°C to -40°C ~ +85°C
等效阻抗	Equivalent Series Resistance	150Ω Maximum
老化	Aging (at 25°C)	±5ppm/year Maximum
保存温度范围	Storage Temperature Range	-40°C to +85°C
静电容	Shunt Capacitance (C0)	1.35pF Typical
动电容	Motional Capacitance (C1)	3.5fF Typical
激励功率	Drive Level	1μW Maximum
绝缘阻抗	Insulation Resistance (Rs)	500 Megaohms Minimum at D.C 100V
负载电容	Load Capacitance (CL)	Suggested by customer

Mechanical Dimensions 外型尺寸



Reflow Condition 回流焊条件

