

5x7 SMD VCXO

Part Number Guide

T-V-FF.FFFM -FS-OT-Pu-TR-S

T (Type型号): V=5x7 SMD VCXO

V (Input Voltage输入电压): 3=3.3V 5=5.0V, etc

F (Frequency标称频率): Normal - 5 digitals of Frequency, e.g. 8.0000M, 12.000M
 Special - All digitals of Frequency, e.g. 13.225625M

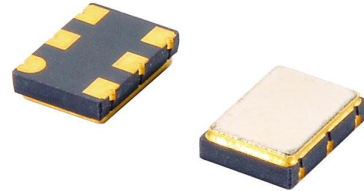
FS (Frequency Stability总频差): 50=±50 ppm, etc

OT (Operating Temperature工作温度): 0070=0°C to +70°C 4085=-40°C to +85°C, etc

Pu (Pullability): 100=100ppm, etc

TR (Tape and Reel编带)

S (Special Requirement特殊要求)



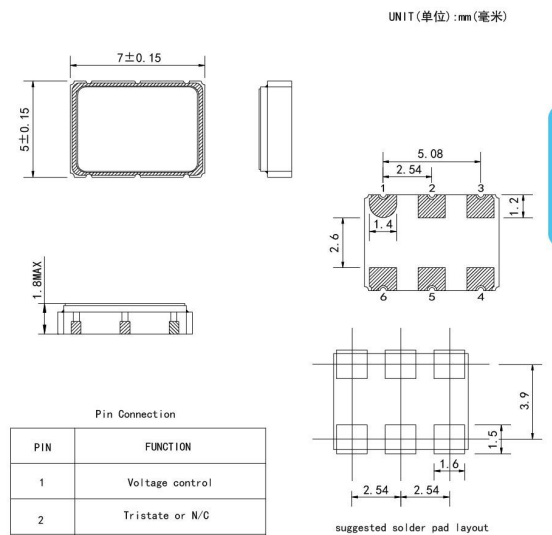
Pb Free

RoHS Compliant
 Directive 2002/95/EC

Electrical Specifications 电气参数

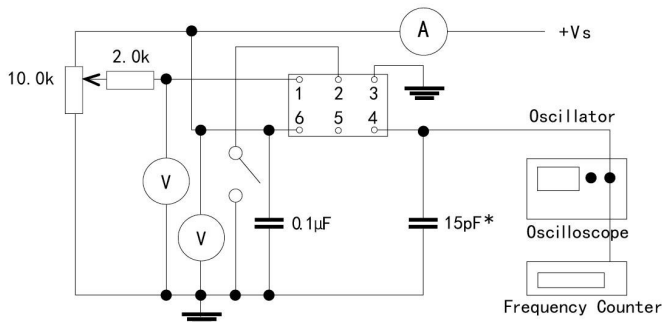
型号	Holder Type		5x7mm SMD VCXO		
频率范围	Frequency Range	F	1,0000 to 80,000	80,000 to 250,00	MHz
总频差	Frequency Stability	$\Delta F/F$	±25 to ±50		ppm
输入电压	Input Voltage	Vdd	5,0 or 3,3 ± 10%	3,3 ± 10%	V
控制电压	Control Voltage	Vc	2,5±2,25 or 1,65±1,5	1,65±1,5	V
输入电流	Input Current	Idd	20 Max	35 Max	mA
工作温度范围	Operating Temperature		-10 ~ +60 to -40 ~ +85		°C
贮存温度范围	Storage Temperature		-40 ~ +85/-55 ~ +125		°C
上升/下降时间	Rise/Fall Time	Tr/Tf	6 Max		ns
占空比	Duty Cycle		40/60 Standard		
线性	Linearity		10% Max		
牵引量	Pullability		±50 ~ ±100		ppm
相位噪声	Phase Noise		-140dBc/Hz@1KHz	-120dBc/Hz@1KHz	
抖动	Rms Jitter (12KHz to 20MHz)		1 Max	2.5 typ	Ps
典型频率	Typical Frequency		2,048 16,384 32,768 61,44 70,656 77,76	125 155,52 156,25 200	MHz

Mechanical Dimensions 外型尺寸



34

Test Circuit 测试电路



Reflow Condition 回流焊条件

